

MCA 525/325/225 GENERATION 2 RACK MOUNT KIT

ASSEMBLY INSTRUCTIONS FOR RACK-MOUNTING

PARTS INCLUDED:

- 2 Rack Mounting Brackets (L&R)
 - 1 Crosspiece
 - 3 Screws

NOT INCLUDED:

- Rack Mount Cabinet



ANTHEM DOES NOT SUPPLY THE SCREWS FOR ATTACHING THE RACK MOUNT TO THE RACK CABINET. USE HARDWARE SPECIFIED OR PROVIDED BY THE RACK UNIT MANUFACTURER.

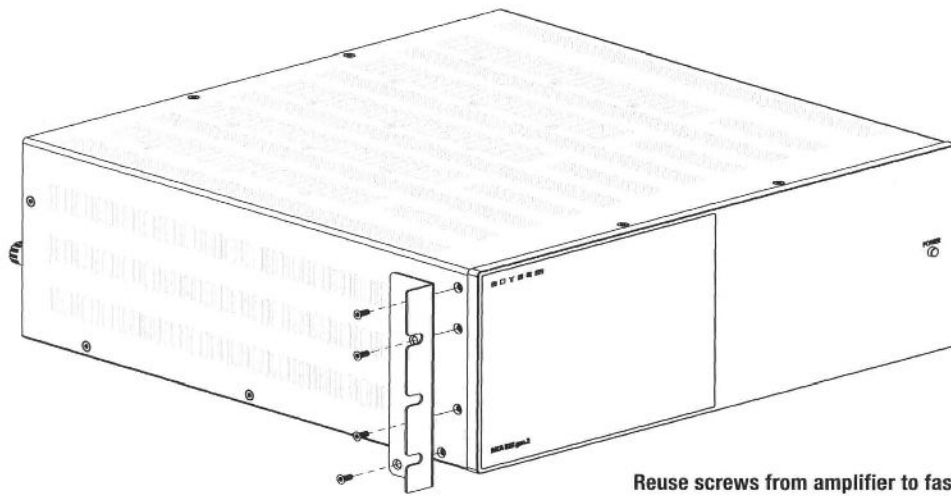
RACK MOUNT KIT: ~1 lb / 0.45 kg



IMPORTANT: BRACKETS MUST BE ATTACHED TO YOUR MCA AMPLIFIER BEFORE SLIDING IT INTO THE RACK MOUNT CABINET.

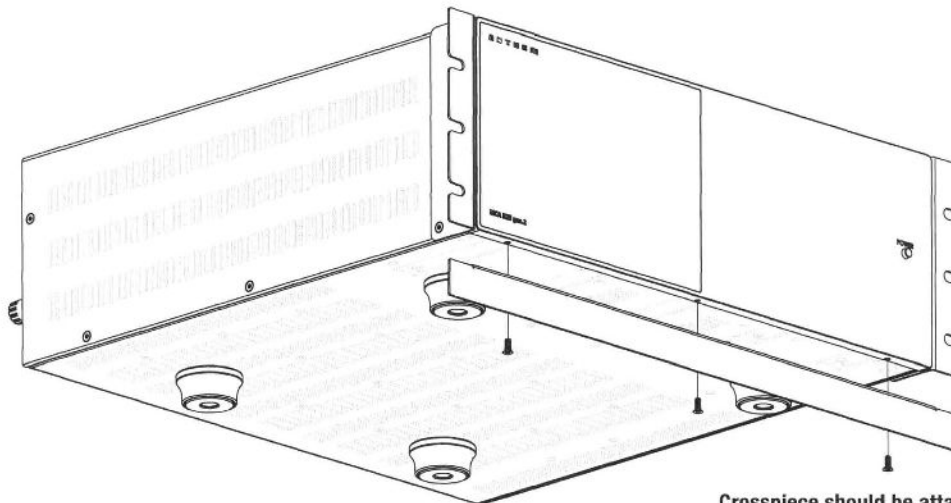
ALL SCREWS MUST BE USED IN ORDER TO FULLY SUPPORT THE WEIGHT OF YOUR NEW MCA AMPLIFIER.

STEP 1



Reuse screws from amplifier to fasten bracket.
Repeat step for other bracket.

STEP 2



Crosspiece should be attached before the MCA amplifier is installed in rack.

ANTHEM®